



Fig.1 View of PAC230C.

## DESCRIPTION

The PAC230C contains two independent, galvanic separated, 3-bit analog to digital converters, OC type. Built-in signal level detection circuit for input voltage allows force logic states, omitting transient states. **Input signal settling time** is an important parameter. It is set typically to 20ms and can be modified on request of the customer. This time should be equal or greater than output signal settling time of the controller. The hysteresis circuit prevents contacts from "flickering" in switching points. LED diodes indicate output states.

## TECHNICAL DATA

Power supply	24 V AC/DC $\pm$ 10%
Max. current consumption	76mA for 24V AC, 35mA for 24V DC
Input resistance	100k $\Omega$
Operating input voltage	0 – 10V
Sensitivity	10mV
Resolution	150mV
Input signal settling time	20ms
Hysteresis width	60mV
Output signal	unpotential contact - OC type
Max. output current	50mA
Max. Collector-Emitter voltage	30V
Max. output power dissipation	150mW
Protection class of the case / terminals	IP-40 / IP-20
Ambient temperature range	-10...+55° C
Diameter of terminals	2,5 mm <sup>2</sup>
Protections	against reverse polarization
Mounting	DIN-35 or DIN-32 rail
Dimensions (L x W x H)	96mm x 70,5mm x 42mm
Weight	135 g

# PAC230C

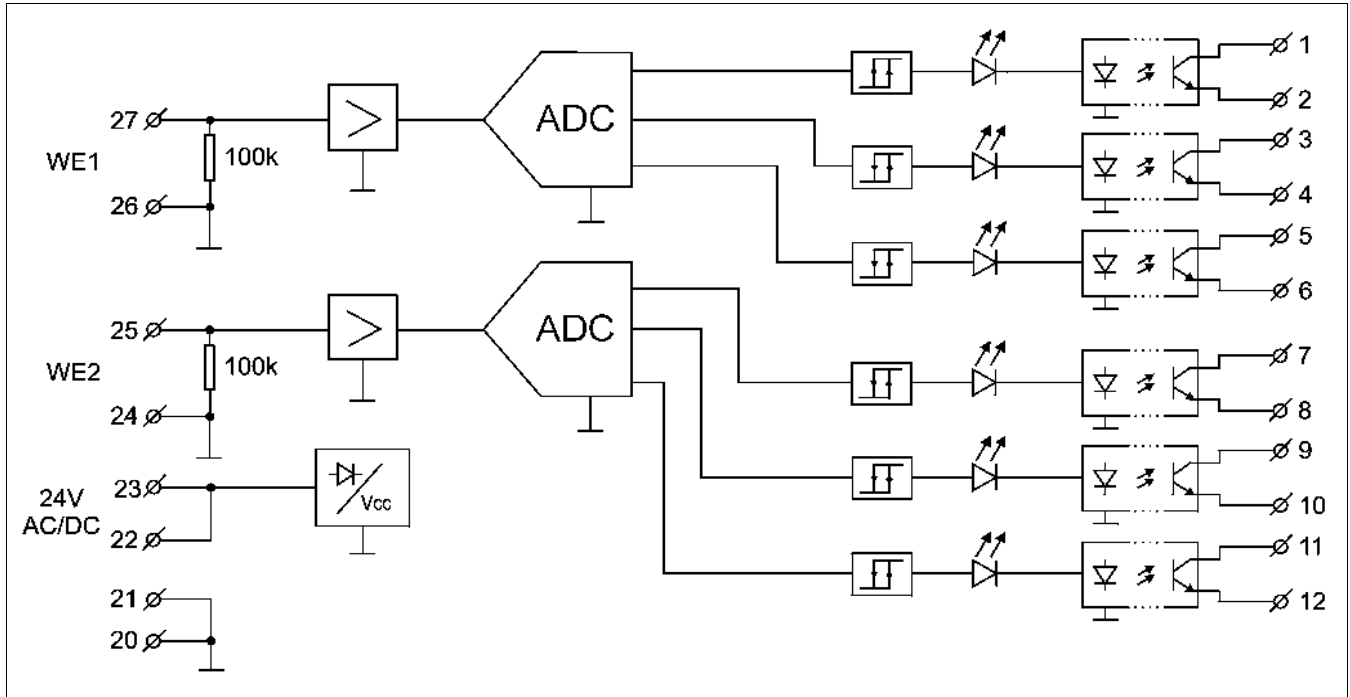


Fig. 2 Connections of PAC230C.

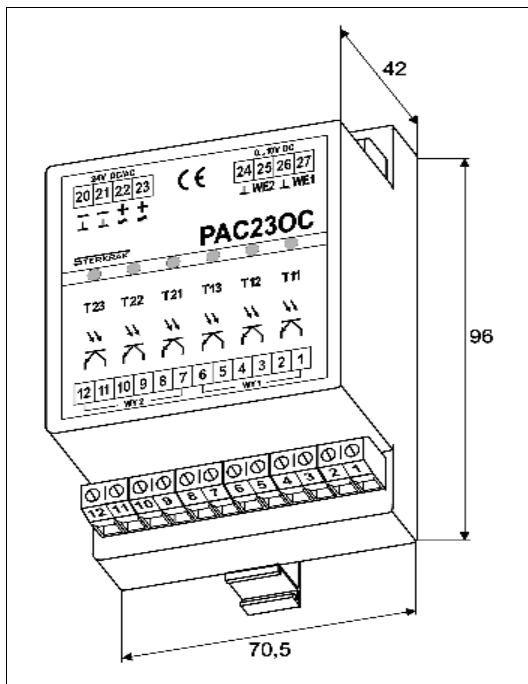


Fig. 3 Dimensions of PAC230C.

$U_{WE}$ [V] rising	$U_{WE}$ [V] falling	$T_{13}$ ( $T_{23}$ )	$T_{12}$ ( $T_{22}$ )	$T_{11}$ ( $T_{21}$ )
0	0	○	○	○
1,55	1,15	○	○	●
2,90	2,50	○	●	○
4,25	3,85	○	●	●
5,60	5,20	●	○	○
6,95	6,55	●	○	●
8,30	7,90	●	●	○
9,65	9,25	●	●	●

adjust accuracy  $\pm 0,5\%$

● - transistors conduct, LEDs switched-on

○ - transistors not conduct, LEDs switched-off

## ATTENTION:

Hysteresis width, thresholds and input signal settling time can be individually established according to the specification.

September 2004