

Fig.1 View of URCA6.

DESCRIPTION

The URCA6 is designed for controllers with initial polarization of analog input (e.g. EXCEL series). This device converts six digital inputs to one analog output signal 0 - 10V. Connecting discrete inputs ($d_1 \div d_6$) to the ground (\perp), generate output voltage according to the formula:

$$U_0 = 0.15d_1 + 0.3d_2 + 0.6d_3 + 1.2d_4 + 2.4d_5 + 4.8d_6 \text{ [V]}$$

where for:

$$x=1 \div 6$$

$d=0$ (terminals are opened)

$d=1$ (terminals are closed)

LED diodes indicate states of digital inputs.

TECHNICAL DATA

Power supply	24 V AC \pm 10%
Current consumption for $R_L = 10k\Omega$	65 mA
Input current for $R_{in}=0\Omega$	280 μ A
Max. resistance of input terminals	4,7k Ω
Max. output current	15mA
Protection class of the case	IP-40
Protection class of terminals	IP-20
Ambient temperature range	-10...+55 $^{\circ}$ C
Diameter of terminals	2,5 mm ²
Mounting	DIN-35 or DIN-32 rail
Dimensions (L x W x H)	96mm x 70,5mm x 42mm
Weight	125 g

URCA6

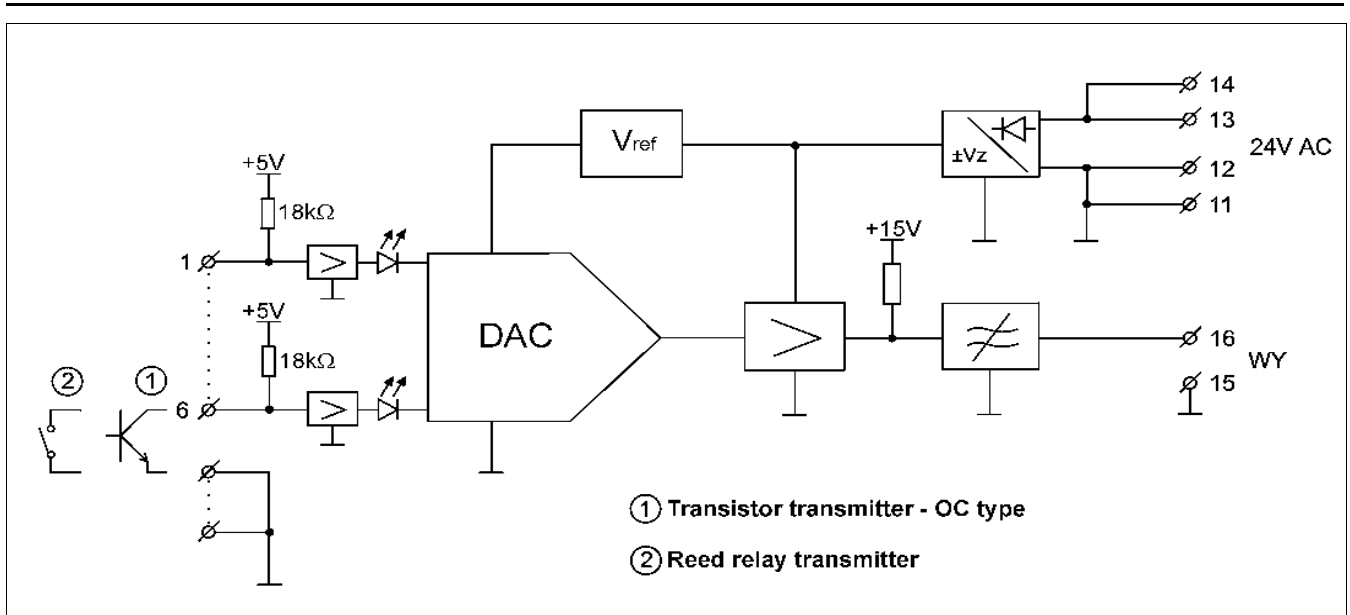


Fig.2 Connections of URCA6.

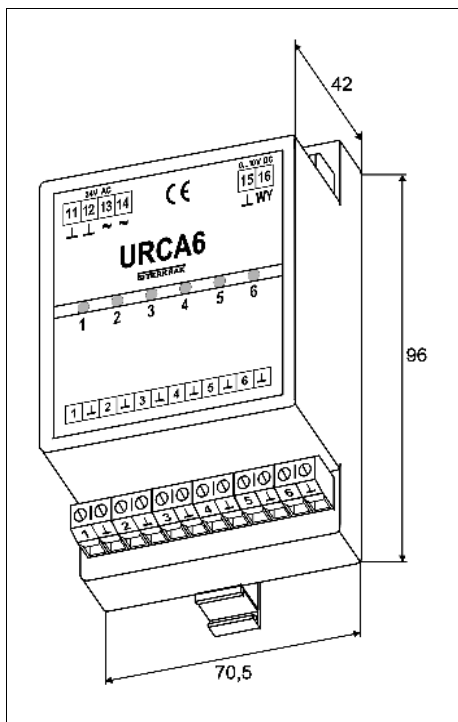


Fig.3 Dimensions of URCA6.

ATTENTION:

Output voltage range can be individually established according to the specification.

August 2004