

Fig.1 View of USS121.

## DESCRIPTION

The USS121 is functional equivalent of the MK1+P module, which converts analog input signal 0 - 10V to four discrete output states. The module has two relays with SPST-NO contacts. Built-in hysteresis circuit prevents contacts from "flickering" in switching points. LED diodes indicate output states according to the table:

$U_{WE}$ [V] rising	$U_{WE}$ [V] falling	S <sub>1</sub>	S <sub>2</sub>
0	0	○	○
3,9	3,2	●	○
6,9	6,2	●	●
9,9	9,3	○	●

○ - opened contacts

● - closed contacts

adjust accuracy  $\pm 0,5\%$

## TECHNICAL DATA

Power supply	24 V AC/DC $\pm 15\%$
Max. current consumption	54 mA for 24 V AC 30 mA for 24 V DC
Input resistance	100k $\Omega$
Contacts switching capacity alternating current $\cos\phi=1$ direct current	380V, 8A [2000VA] 32V, 8A
Mechanical endurance of contacts	3x10 <sup>7</sup> operations
Protection class of the case	IP-40
Protection class of terminals	IP-20
Ambient temperature range	-10...+55° C
Diameter of terminals	2,5 mm <sup>2</sup>
Protections	against reverse polarization
Mounting	DIN-35 or DIN-32 rail
Dimensions (L x W x H)	96mm x 48mm x 42mm
Weight	125 g

# USS121

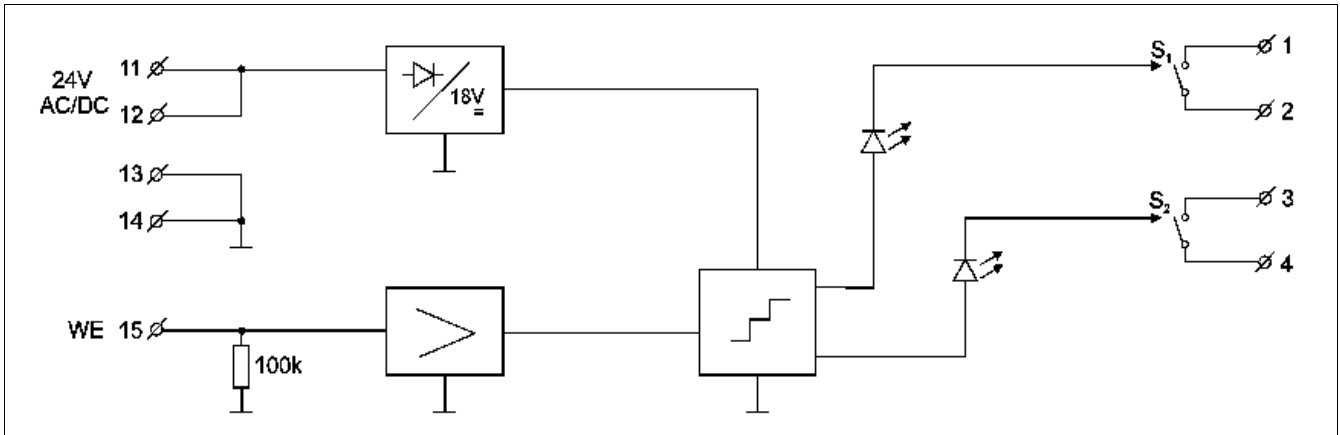


Fig.2 Connections of USS121.

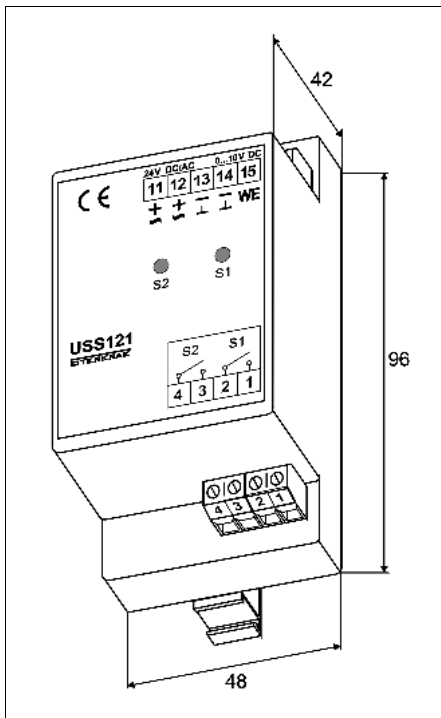


Fig.3 Dimensions of USS121.

**ATTENTION:**

Hysteresis width and thresholds can be individually established according to the specification.

June 2004