

Fig.1 View of USS123P.

## DESCRIPTION

The USS123P is three relay module which converts analog input signal 0 - 10V to four discrete output states. Relays have SPDT contacts. Built-in hysteresis circuit prevents contacts from "flickering" in switching points. LED diodes indicate output states according to the table:

$U_{WE}$ [V] rising	$U_{WE}$ [V] falling	S <sub>1</sub>	S <sub>2</sub>	S <sub>3</sub>
0	0	○	○	○
3,9	3,2	●	○	○
6,9	6,2	●	●	○
9,9	9,2	●	●	●

○ - opened contacts  
● - closed contacts

adjust accuracy  $\pm 0,5\%$

## TECHNICAL DATA

Power supply	24 V AC/DC $\pm 15\%$
Max. current consumption	72 mA for 24 V AC 42 mA for 24 V DC
Input resistance	100k $\Omega$
Contacts switching capacity alternating current $\cos\phi=1$ direct current	380V, 8A [2000VA] 32V, 8A
Mechanical endurance of contacts	$2 \times 10^7$ operations
Protection class of the case	IP-40
Protection class of terminals	IP-20
Ambient temperature range	-10...+55° C
Diameter of terminals	2,5 mm <sup>2</sup>
Protections	against reverse polarization
Mounting	DIN-35 or DIN-32 rail
Dimensions (L x W x H)	96mm x 48mm x 42mm
Weight	125 g

# USS123P

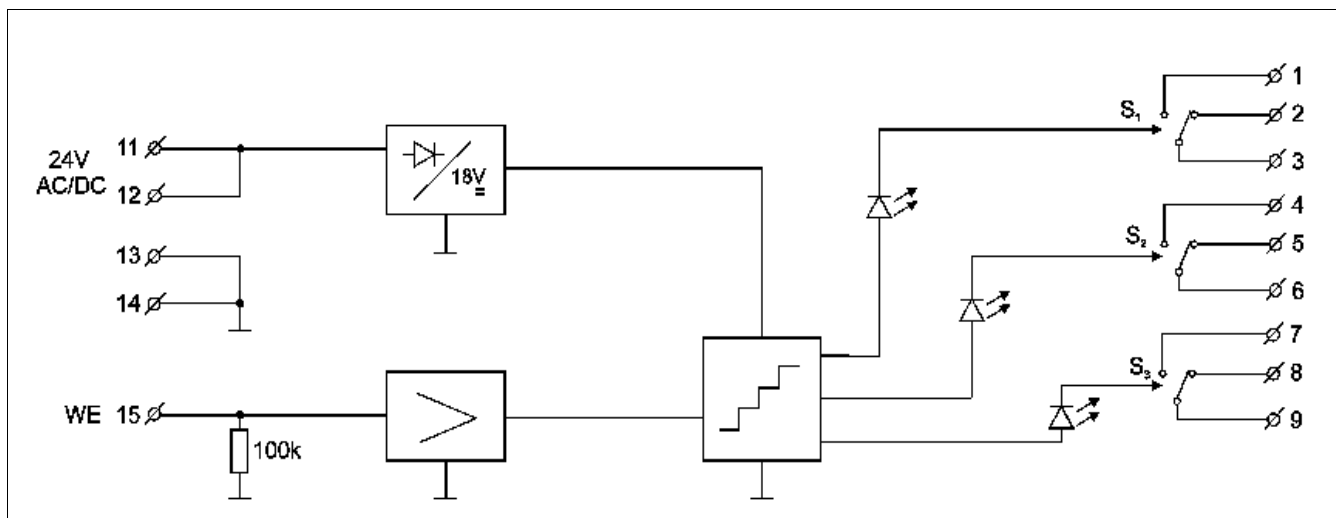


Fig.2 Connections of USS123P.

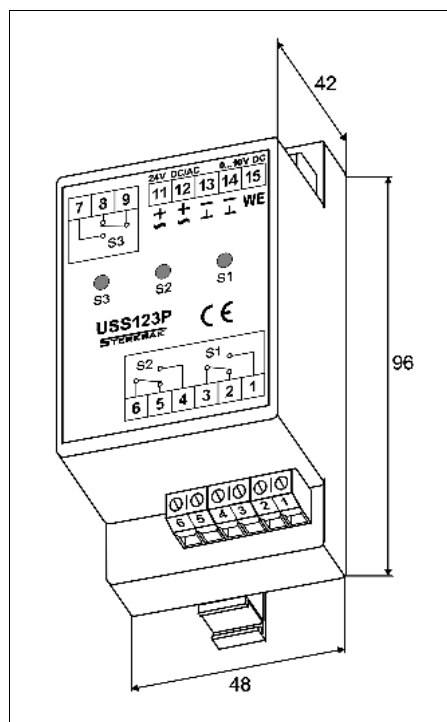


Fig.3 Dimensions of USS123P.

## ATTENTION:

Hysteresis width and thresholds can be individually established according to the specification.

June 2004