

DATASHEET

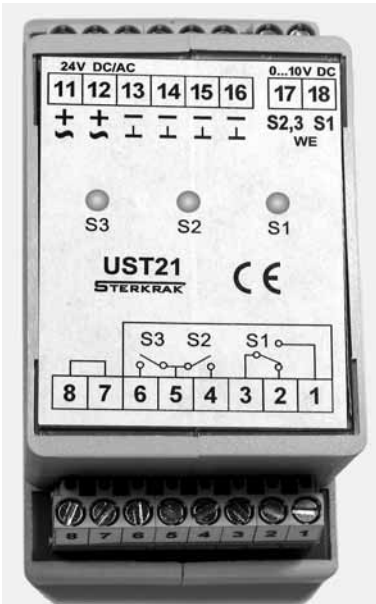


Fig.1 View of UST21.

DESCRIPTION

The UST21 is functional equivalent of the MCD3 module, which converts two analog input signals 0 - 10V to one three-points output signal and one discrete output state. The module has three relays. LED diodes control output states.

ATTENTION:

Hysteresis width and thresholds can be individually established according to the specification.

TECHNICAL DATA

Power supply	24 V AC/DC \pm 15%
Max. current consumption	72 mA for 24 V AC 42 mA for 24 V DC
Input resistance	100k Ω
Contacts switching capacity alternating current $\cos\phi=1$ direct current	380V, 8A [2000VA] 32V, 8A
Mechanical endurance of contacts	2x10 ⁷ operations
Protection class of the case / terminals	IP-40 / IP-20
Ambient temperature range	-10...+55°C
Diameter of terminals	2,5 mm ²
Protections	against reverse polarization
Mounting	DIN-35 or DIN-32 rail
Dimensions (L x W x H)	96mm x 48mm x 42mm
Weight	125 g

UST21

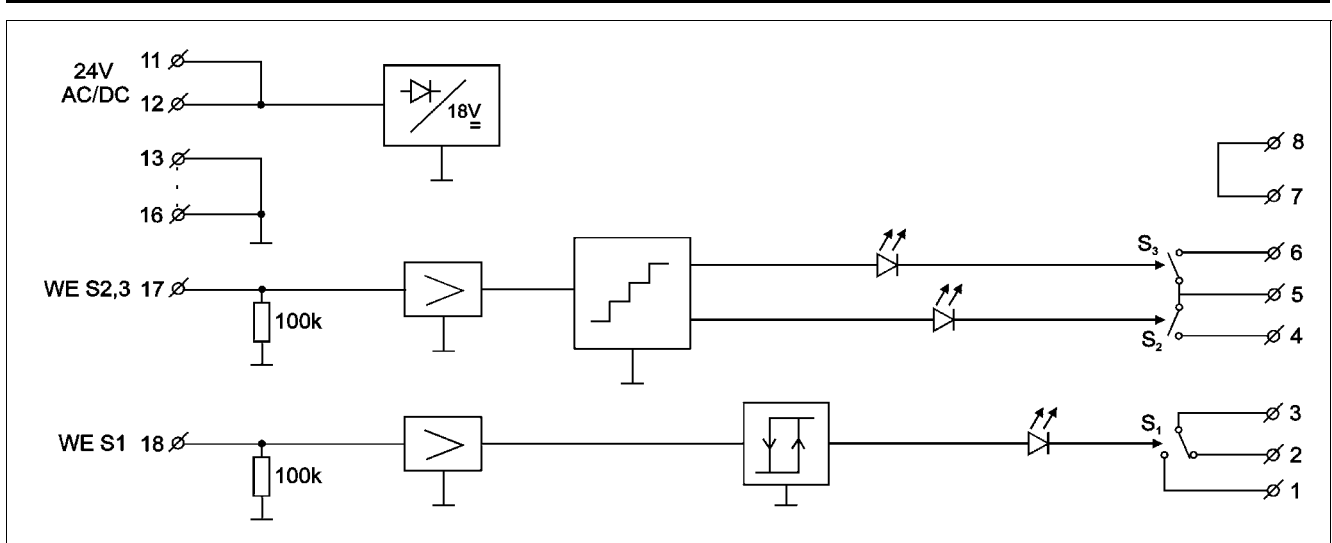


Fig.2 Connections of UST21.

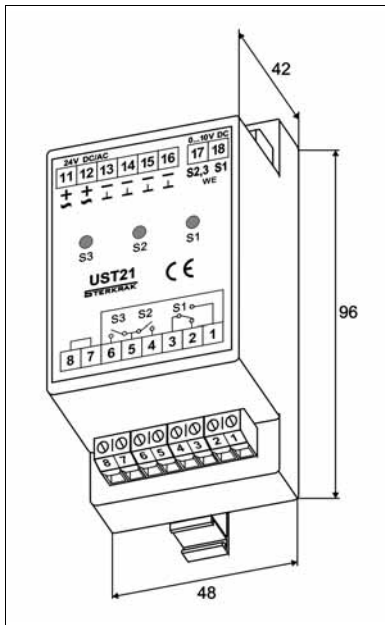
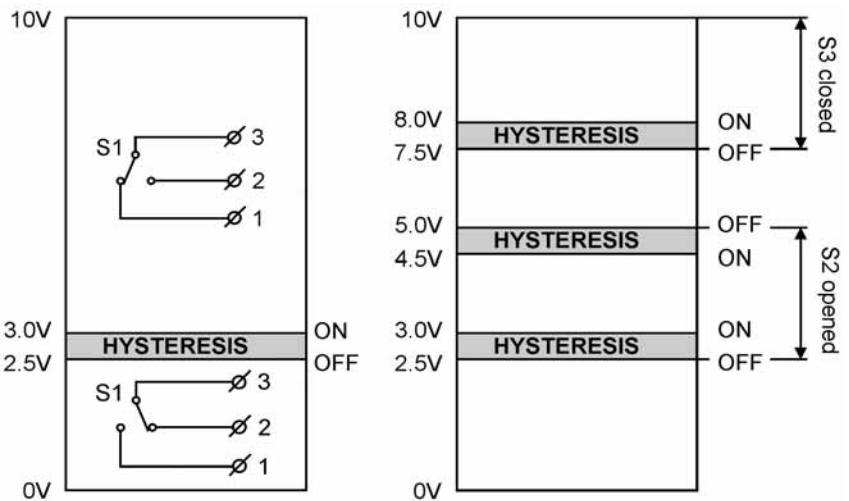


Fig.3 Dimensions of UST21.



June 2004