

Fig.1 View of USW44.

DESCRIPTION

The USW44 is development of the USW22 module. Using two 4-pole switches SW1 and SW2, it is possible to control switching on and off cycle of the fan, according to individual meets of the customer.

TECHNICAL DATA

Power supply	230 V AC \pm 10%
Max. current consumption for $R_L = \infty$	20 mA AC
Output circuit	triac with zero voltage crossing
RMS on-state current	3A AC
Max. peak on-state current, $t=20\text{ms}$	100A AC
Protection class of the case / terminals	IP-40 / IP-20
Ambient temperature range	-10...+55° C
Diameter of terminals	2,5 mm ²
Mounting	DIN-35 or DIN-32 rail
Dimensions (L x W x H)	96mm x 48mm x 42mm
Weight	80 g

USW44

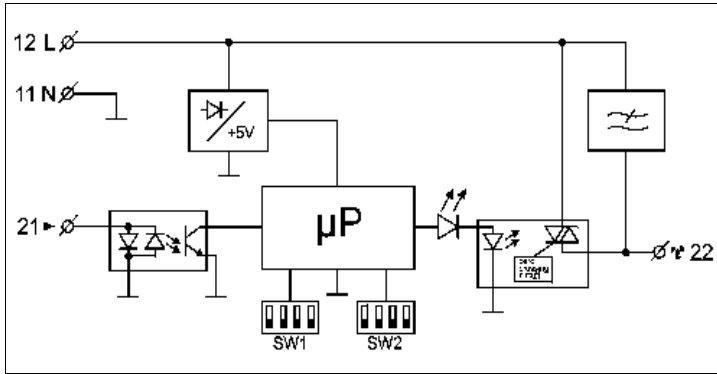


Fig. 2 Block diagram of USW44.

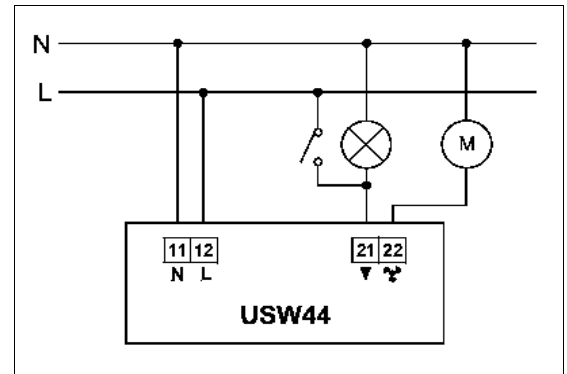


Fig. 3 Connections of USW44.

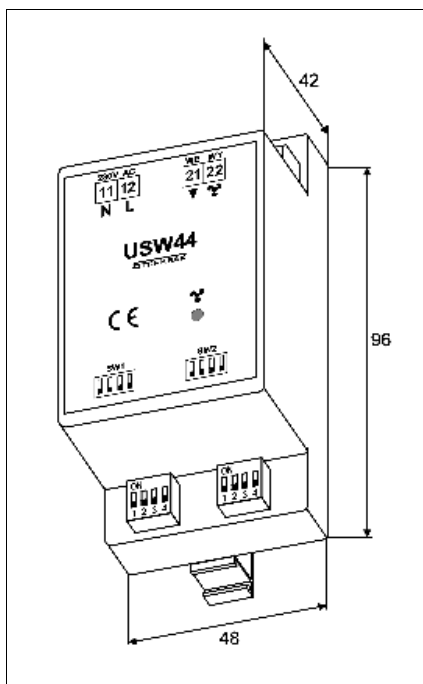




Fig. 3 Dimensions of USW44.

Functions of SW1 and SW2 switches are individually established.



Before any connecting operations it is necessary to disconnect 230V AC power line. Touching terminals 11, 12 and 21, 22 during work of the module is threatened with electric shock.



July 2004