

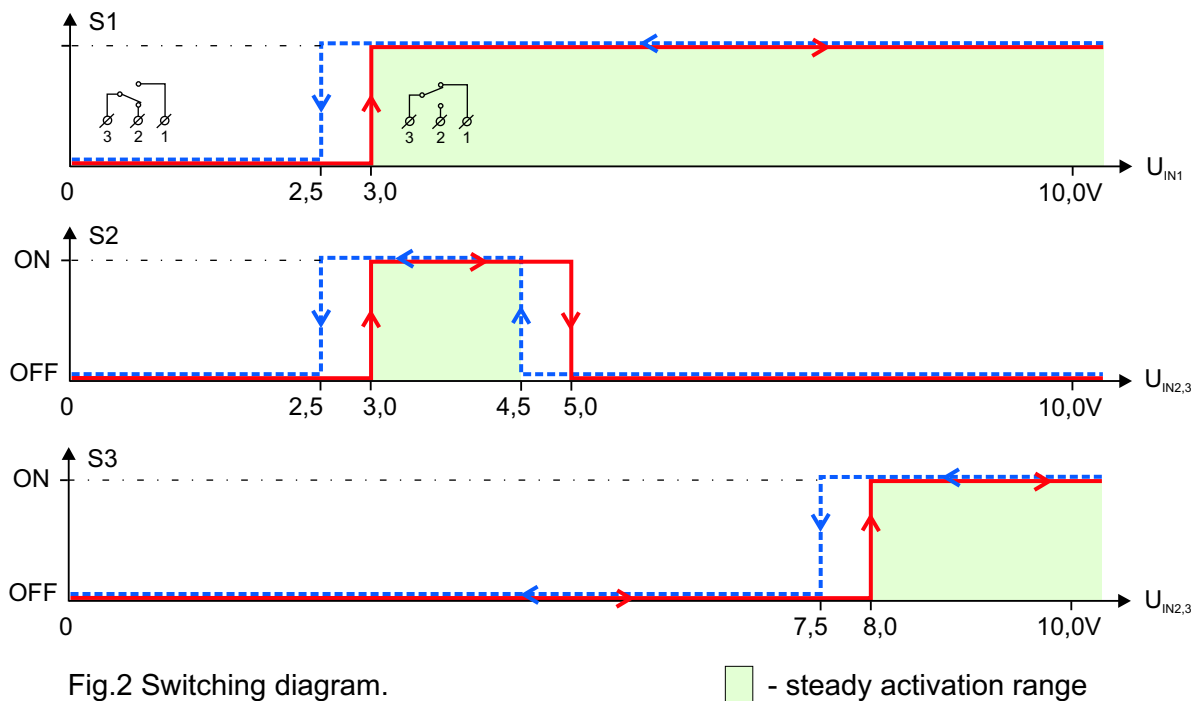
APPLICATION

The relay module used to work as an executive element with analog outputs of controllers to activate peripheral equipment requiring greater power.

DESCRIPTION

The UST21 is functional equivalent of the MCD3, changing two analog input signals (0 - 10V) from the controller to one threepoint output signal and one voltageless output state. LED diodes indicate output states.

Fig.1 The UST21 module.



UST21

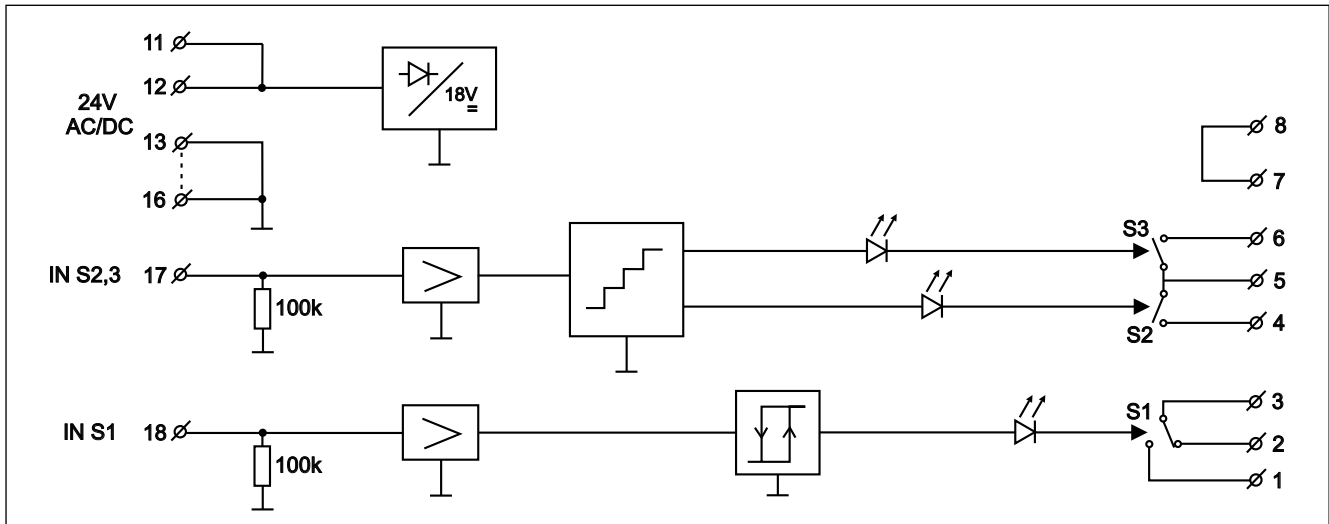


Fig.3 Connections of the UST21.

TECHNICAL DATA

Power supply	24 V AC/DC \pm 15%
Max. current consumption	50 mA for 24 V AC 30 mA for 24 V DC
Input resistance	100k Ω
Contacts switching capacity alternating current $\cos\phi=1$ direct current	380V, 8A [2000VA] 32V, 8A
Mechanical endurance of contacts	2×10^7 operations
Protection class of the case	IP-40
Protection class of terminals	IP-20
Ambient temperature range	-10...+55 $^{\circ}$ C
Diameter of terminals	2,5 mm ²
Protections	against reverse polarisation
Mounting	DIN-35 or DIN-32 rail
Dimensions (L x W x H)	96mm x 48mm x 42mm
Weight	125 g

June 2004, revised: April 2008