



DESCRIPTION

The USW44 module is used to control the operation of the fan. It is powered with 230V AC and serves for periodical ventilation of rooms, as well as for short ventilation, for example after turning on the lighting. The triac with zero voltage crossing is main working element. Thanks to two 4-pole switches SW1 and SW2, it is possible to programming cycles of the fan, work and delay times according to individual meets of the customer. The LED diode indicates an output state.

Fig.1 The USW44 module.

TECHNICAL DATA

Power supply	230 V AC \pm 10%
Max. current consumption for $RL = \infty$	20 mA AC
Output circuit	Triac with zero voltage crossing
RMS on-state current	3A AC
Max. peak on-state current, $t=20\text{ms}$	100A AC
Protection class of the case / terminals	IP-40 / IP-20
Ambient temperature range	-10...+55°C
Diameter of terminals	2,5 mm ²
Mounting	DIN-35 or DIN-32 rail
Dimensions (L x W x H)	96mm x 48mm x 42mm
Weight	80 g

USW44

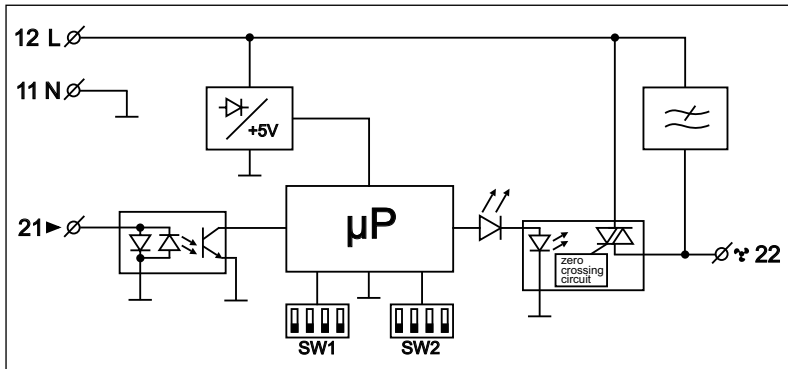


Fig.2 Block diagram of the USW44.

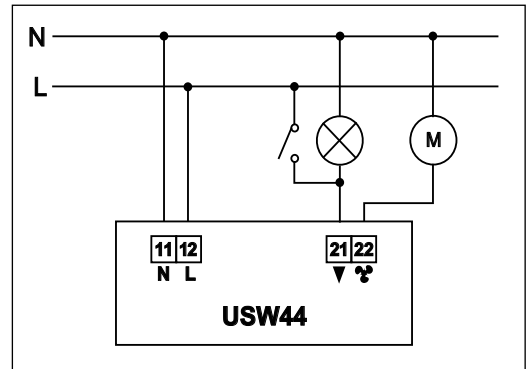




Fig.3 Connections of the USW44.

Functions of SW1 and SW2 switches are individually set according to the specification.



Before any connecting operations it is absolutely necessary to disconnect 230V AC power line. Touching terminals 11, 12 and 21, 22 during work of the module is threatened with electric shock.



July 2004, revised: June 2008